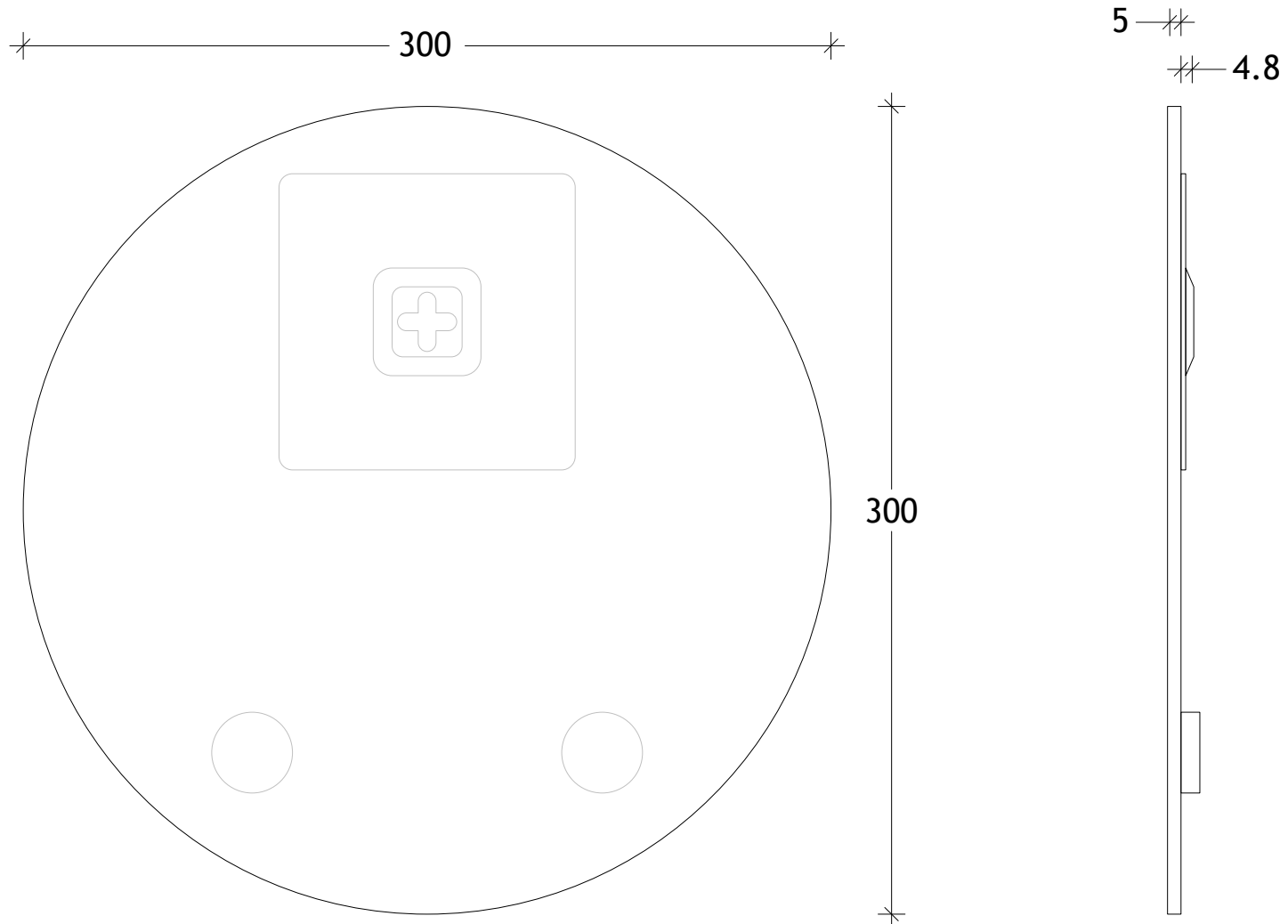


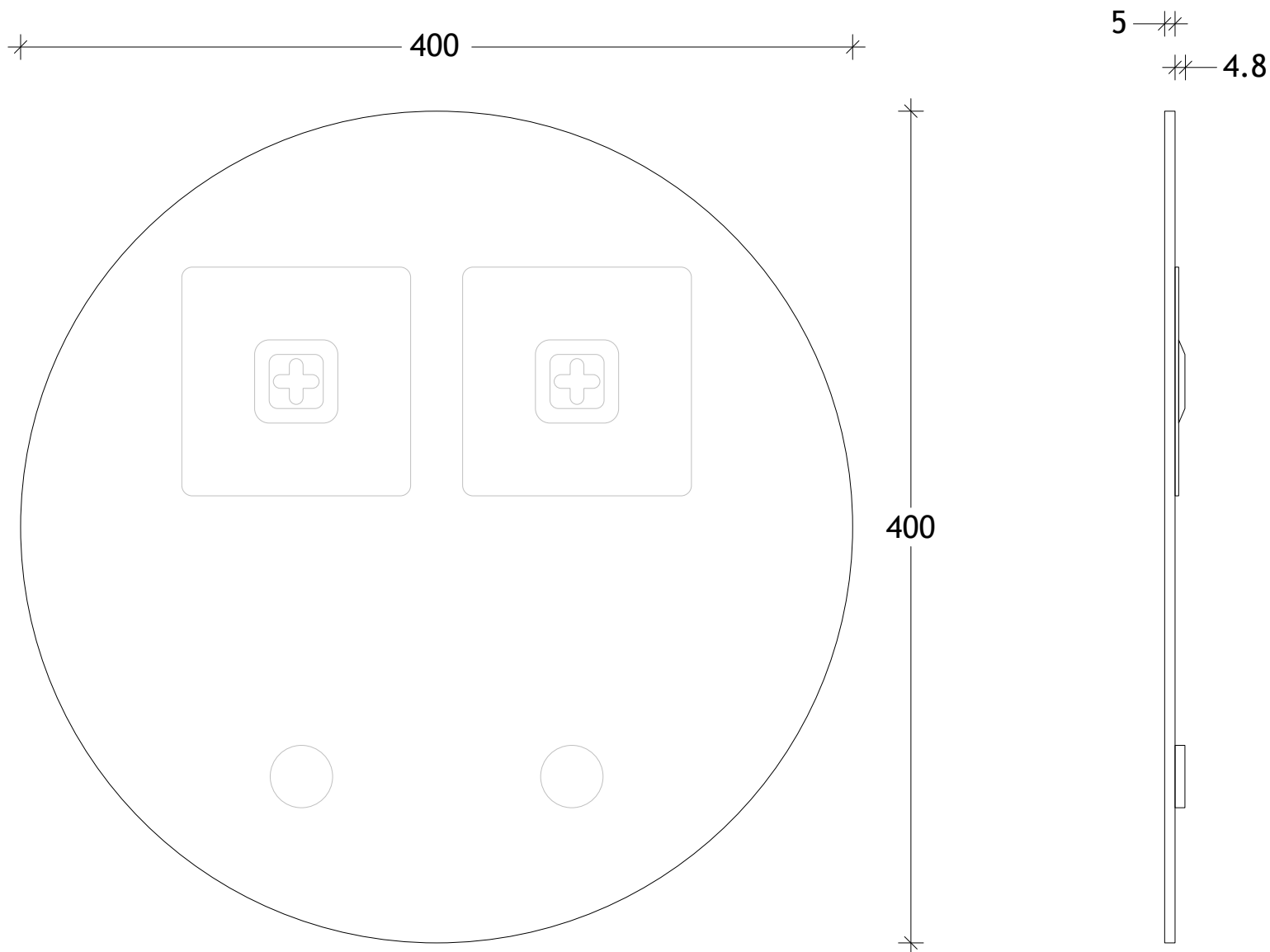
*BRACKET LOCATION MAY VARY +/- 5MM
DO NOT PRE DRILL MOUNTING HOLES BEFORE MIRROR IS ON SITE.
MEASURE EXACT LOCATIONS FROM YOUR MIRROR.

NAME:	ROUND	SMRD3030
SIZE:	300 x 300	
WK/WH:	WH	
CONFIGURATION:	MIRROR	



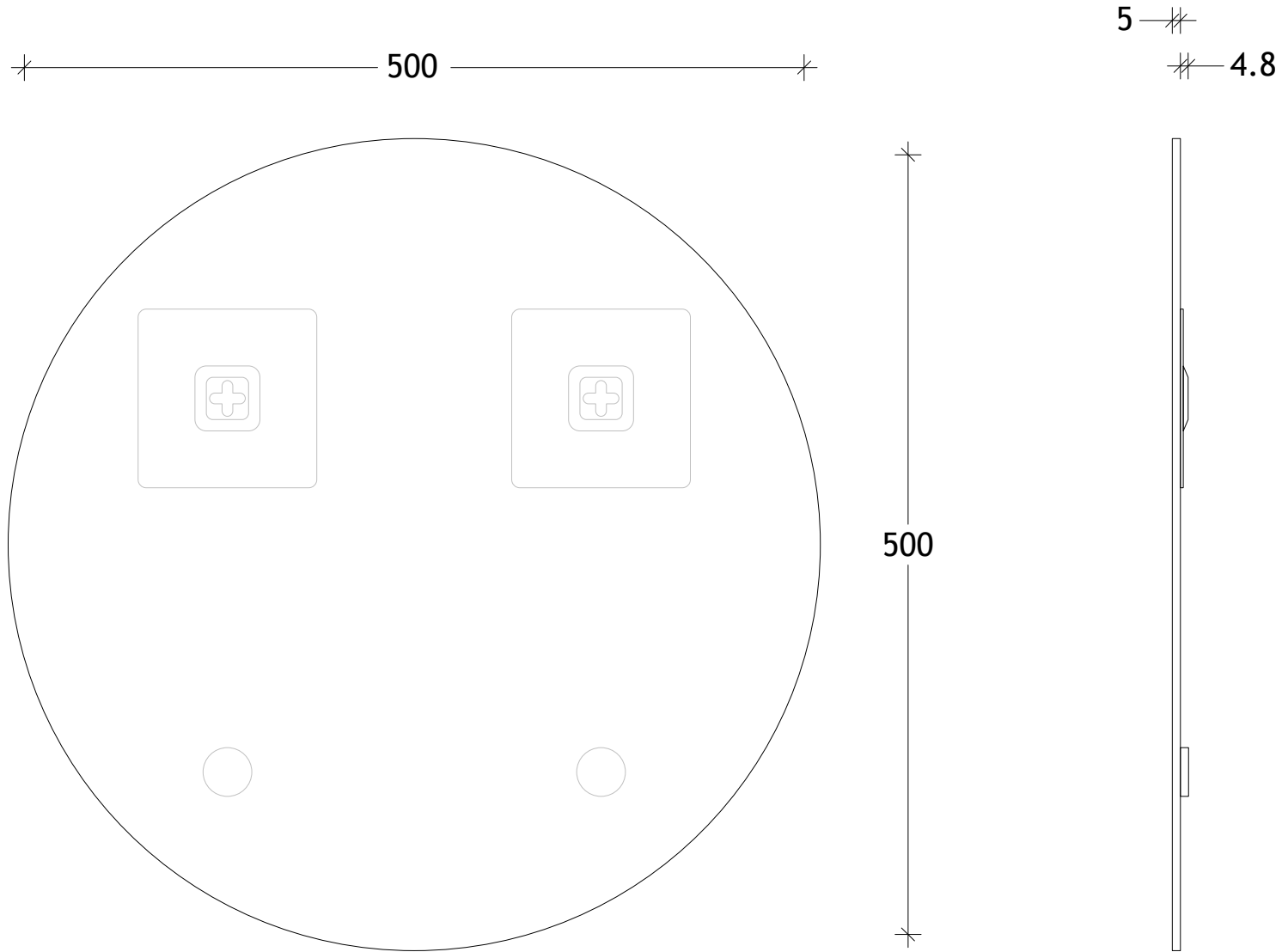
*BRACKET LOCATION MAY VARY +/- 5MM
DO NOT PRE DRILL MOUNTING HOLES BEFORE MIRROR IS ON SITE.
MEASURE EXACT LOCATIONS FROM YOUR MIRROR.

NAME:	ROUND	SMRD4040
SIZE:	400 x 400	
WK/WH:	WH	
CONFIGURATION:	MIRROR	



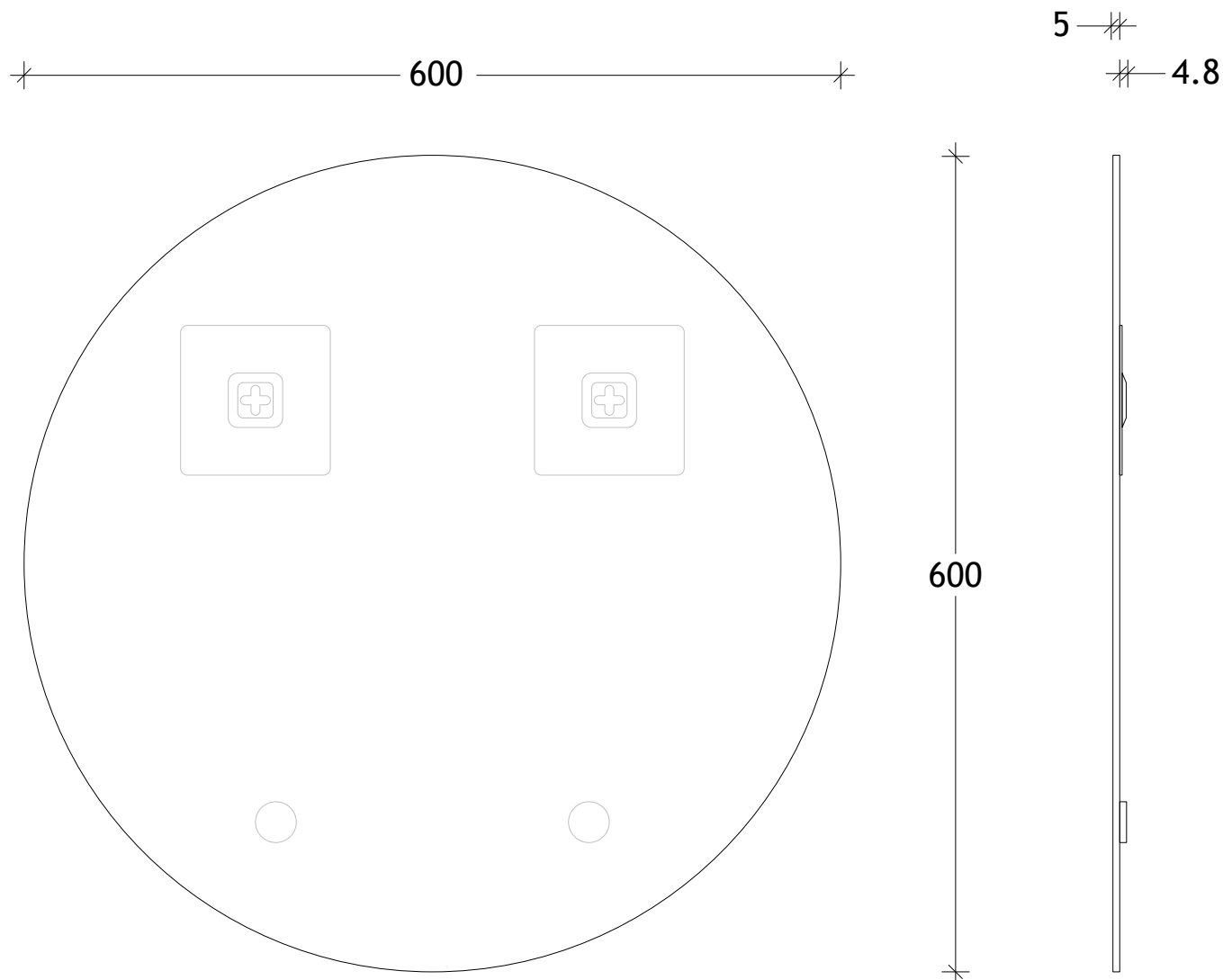
*BRACKET LOCATION MAY VARY +/- 5MM
DO NOT PRE DRILL MOUNTING HOLES BEFORE MIRROR IS ON SITE.
MEASURE EXACT LOCATIONS FROM YOUR MIRROR.

NAME:	ROUND	SMRD5050
SIZE:	500 x 500	
WK/WH:	WH	
CONFIGURATION:	MIRROR	



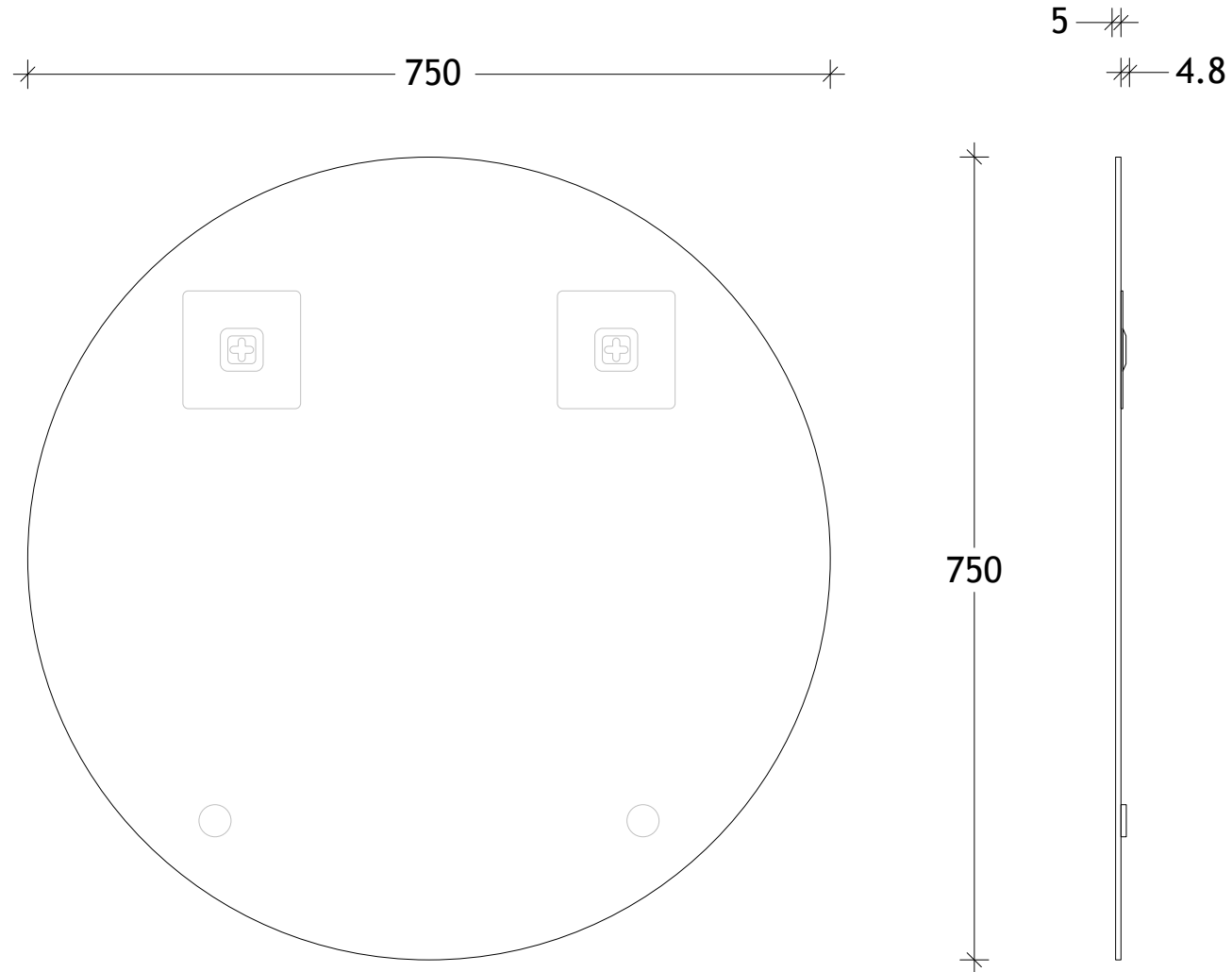
*BRACKET LOCATION MAY VARY +/- 5MM
DO NOT PRE DRILL MOUNTING HOLES BEFORE MIRROR IS ON SITE.
MEASURE EXACT LOCATIONS FROM YOUR MIRROR.

NAME:	ROUND	SMRD6060
SIZE:	600 x 600	
WK/WH:	WH	
CONFIGURATION:	MIRROR	



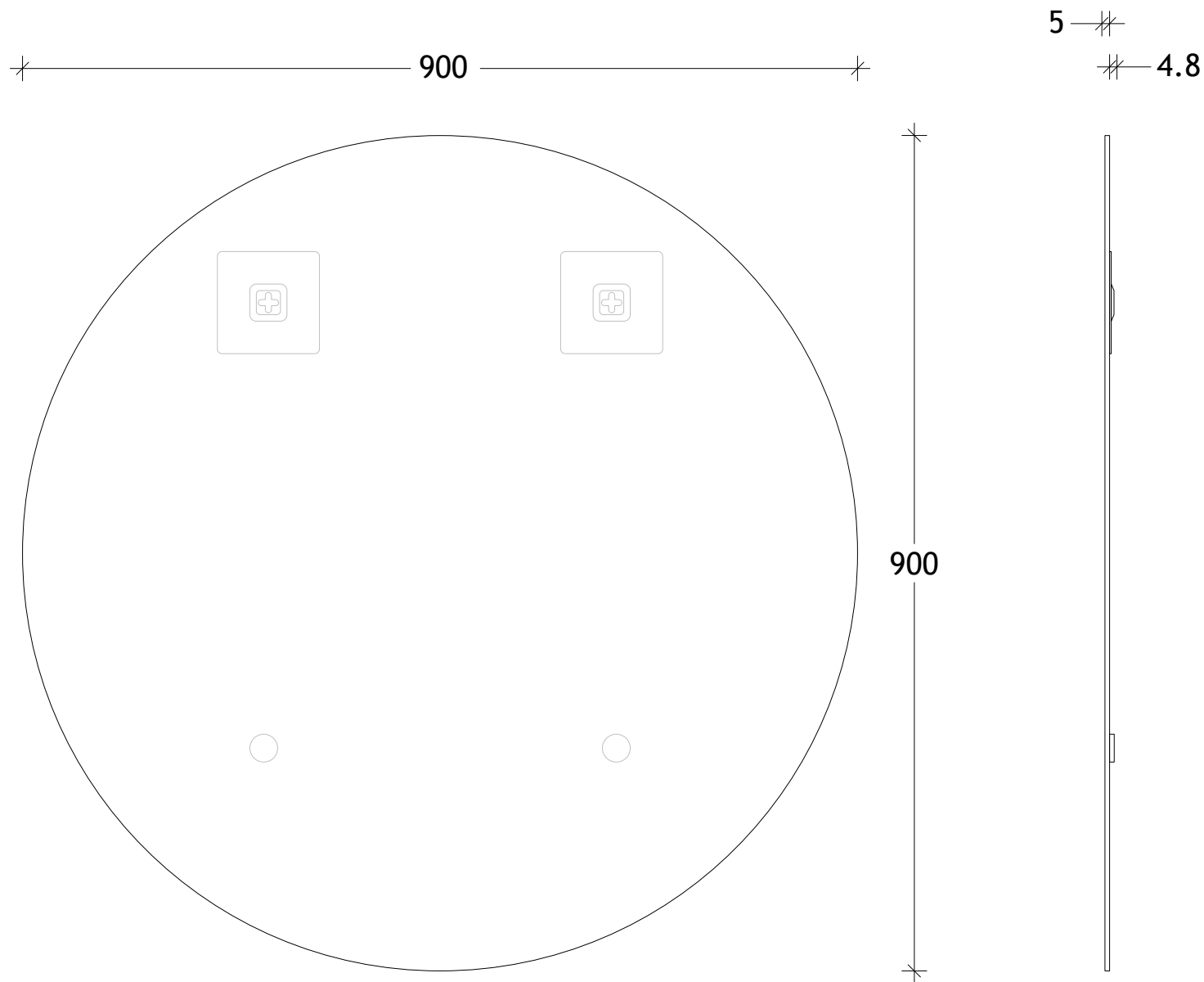
*BRACKET LOCATION MAY VARY +/- 5MM
DO NOT PRE DRILL MOUNTING HOLES BEFORE MIRROR IS ON SITE.
MEASURE EXACT LOCATIONS FROM YOUR MIRROR.

NAME:	ROUND	SMRD7575
SIZE:	750 x 750	
WK/WH:	WH	
CONFIGURATION:	MIRROR	



*BRACKET LOCATION MAY VARY +/- 5MM
DO NOT PRE DRILL MOUNTING HOLES BEFORE MIRROR IS ON SITE.
MEASURE EXACT LOCATIONS FROM YOUR MIRROR.

NAME:	ROUND	SMRD9090
SIZE:	900 x 900	
WK/WH:	WH	
CONFIGURATION:	MIRROR	



*BRACKET LOCATION MAY VARY +/- 5MM
DO NOT PRE DRILL MOUNTING HOLES BEFORE MIRROR IS ON SITE.
MEASURE EXACT LOCATIONS FROM YOUR MIRROR.

NAME:	ROUND	SMRD120120
SIZE:	1200 x 1200	
WK/WH:	WH	
CONFIGURATION:	MIRROR	

