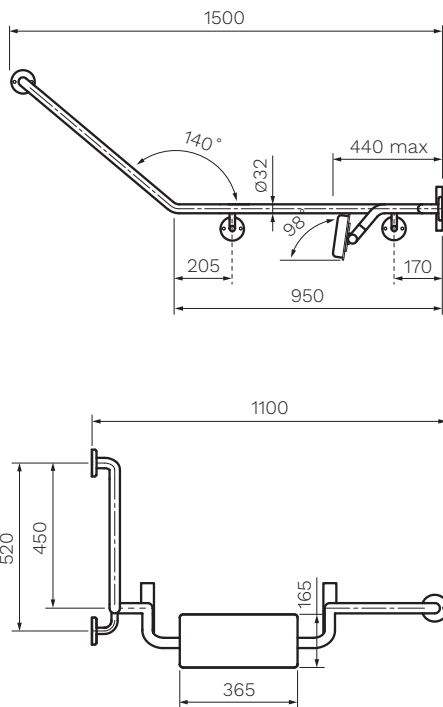
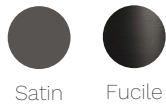


## Envy Grab Rail with Backrest Combo 40° Right Hand

**Product Code: PP.BR40R.XX**

The Envy Grab Rail and Backrest is made from 40mm thick white polyurethane with a stainless steel support which meets the requirements of AS1428.1-2009. The backrest is site adjustable upon installation to ensure accurate location. Snap flange covers conceal the fixings. Suitable for accessible unisex sanitary facilities.



|                            |  |
|----------------------------|--|
| <b>Colour &amp; Finish</b> | — Satin, Fucile (50)                               |
| <b>Material</b>            | — #304 Stainless Steel Rail, Polyurethane Backrest |
| <b>Dimensions</b>          | — 1100 x 1500 x 598mm                              |
| <b>Rail</b>                | — 32mm diameter                                    |
| <b>Warranty</b>            | — 1 Year (Conditions Apply)                        |

**Installation note:**

To ensure the rail will withstand the force stipulated in AS1428.1-2009, the fixings must be anchored in a solid wall or a secure noggin of suitable strength.

PARISI

