

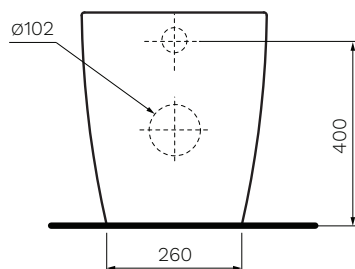
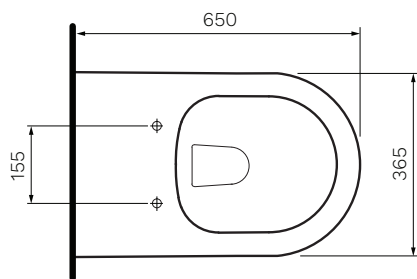
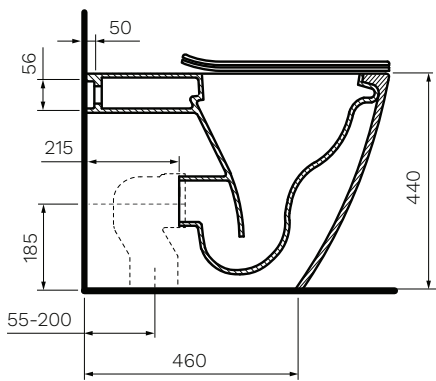
Ellisse MKII Ambulant Wall Faced Pan

Product Code: PN830

The Ellisse MKII Ambulant Wall Faced Pan is designed to meet the compliance requirements of AS1428.1-2009. The elevated height of the pan assists persons whose mobility is impaired. The PARISI Easy Clean ceramic glaze and RIMLESS technology ensure maximum cleaning of the bowl is achieved.



Gloss
White



- Colour & Finish** — White Gloss
- Material** — Ceramic
- Dimensions** — 365 x 650 x 440mm
- Rim Type** — PARISI Rimless
- Seat Type** — Soft Close, Slim Heavy Grade, Easy Lift-off Hinges, UV Resistant, Antibacterial (PN5745)
- Surface Hygiene** — Easyclean Antibacterial protection
- P Trap** — 185mm height FFL
- S Trap** — 55 - 200mm using PN0030 connector (included)
- Water Inlet** — Back Inlet 400mm height FFL
- Cistern Options** — Compatible with concealed cisterns (PA110, PA111, PA130, PA135, PA136, PA137)
- Button Options** — Compatible with push button panels and remote button sets (PA221 - PA265)
- WELS** — 4 STAR 4.5/3.0L 3.1L Average Flush
- Warranty** — 10 Years (Conditions Apply)

PARISI



RIMLESS

