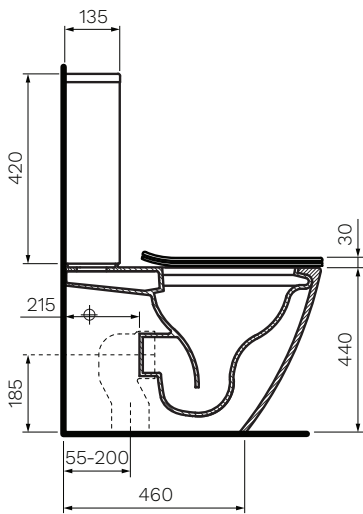




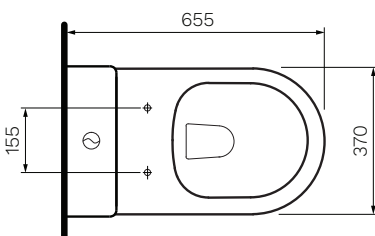
Ellisse MKII Ambulant Wall Faced Suite

Product Code: PN820

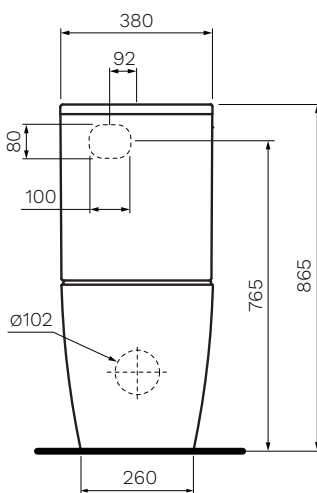
The Ellisse MKII Ambulant Toilet Suite is designed to meet the compliance requirements of AS1428.1-2009. The elevated height of the pan assists persons whose mobility is impaired. The PARISI Easy Clean ceramic glaze and RIMLESS technology ensure maximum cleaning of the bowl is achieved.



SIDE VIEW



TOP VIEW



FRONT VIEW



Gloss White



Colour & Finish	— White Gloss
Material	— Ceramic
Dimensions	— 380 x 655 x 865mm
Rim Type	— PARISI Rimless
Seat Type	— Soft Close, Slim Heavy Grade, Easy Lift-off Hinges, UV Resistant, Antibacterial (PN5745)
Surface Hygiene	— Easyclean Antibacterial Protection
P Trap	— 185mm height FFL
S Trap	— 55 - 200mm using PN0030 connector (included)
Water Inlet	— Back Inlet 765mm height FFL, Bottom Inlet L&R
WELS	— 4 STAR 4.5/3L 3.2L Average Flush
Warranty	— 10 Years (Conditions Apply)

PARISI



RIMLESS



Note: Dimensions are in millimetres and nominal. They can vary according to material and manufacturing tolerances. Exact dimensions should be determined by measuring actual product. PARISI reserves the right to vary specifications without notice.

August 2020_v3