

## Undercounter Concealed Cistern

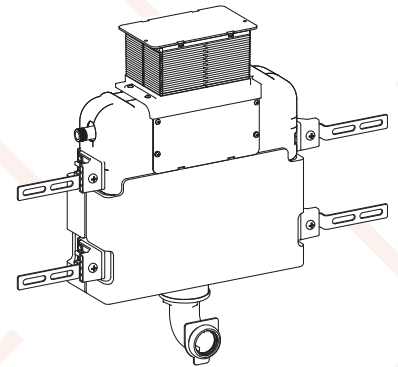
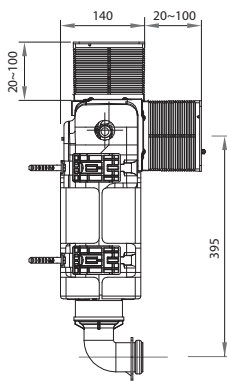
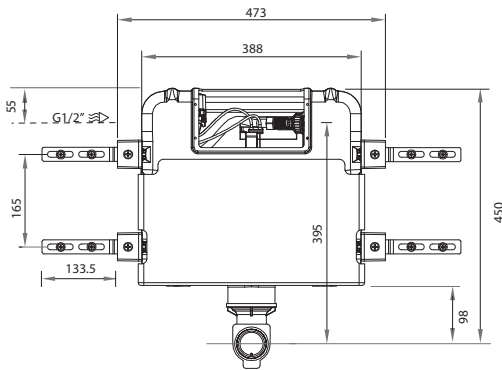
**Product Code: PA130**

Suitable for use with any PARISI wall faced pan.

For undercounter use or where low level is required; e.g. under a window.

Top or front actuation.

For Glass or metal push panels refer to PA131 (mechanical).



### Specifications

<b>Material</b>	— High Density Polyethylene
<b>Water Inlet</b>	— Left side, G1/2" External
<b>Flush</b>	— Top flush/Front flush
<b>WELS</b>	— 4 star rating 4.5/3L 3.3L avg flush
<b>Operation</b>	— Mechanical
<b>W x D x H</b>	— 473 x 140 x 450mm
<b>Compatible Panels</b>	— PA221-227 Tondo Push Panel — PA231-237 Blade Push Panel
<b>Pan Compliance</b>	— Suitable with any PARISI wall faced pan Compatible with any branded pan supplied with 40mm kee seal, 50mm kee seal to be sourced independently
<b>Warranty</b>	— 3 Years parts & labour, further 12 years parts only
<b>Fixing Details</b>	— Wall Fixing Kit included
<b>Installation</b>	— Refer to instructions in packaging

PARISI

