

Nero

SHOWER RAIL



SPECIFICATION

PRODUCT CODE	YSW314
WELS RATING	3 STAR 9L/MIN
WATERMARK LICENSE	WM-060093
TEMPERATURE RATING	MIN 1°C-MAX 75°C
PRESSURE RATING	MIN 150KPa-MAX 500KPa

FINISH

	NR314CH	chrome
	NR314MB	matte black
	NR314BN	brushed nickel
	NR314GM	gun metal
	NR314BG	brushed gold

MAINTENANCE AND CARE

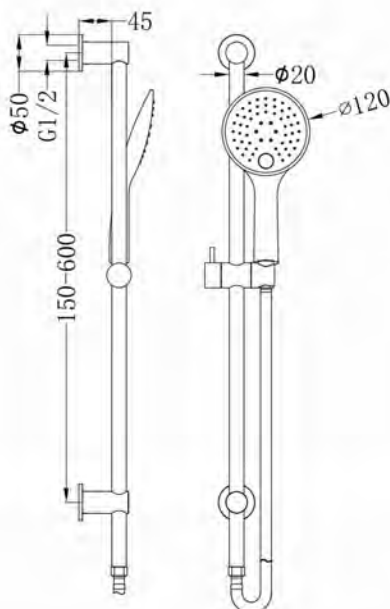
All surfaces should be cleaned with mild liquid detergent or soap and water.

Do not use cream cleaners or citrus based cleaning products, as they are abrasive.

Use of unsuitable cleaning agents may damage the surface. Any damage caused in this way will not be covered by warranty.

PACKAGING INCLUDES

- 1x shower rail
- 1x handle shower
- 1x shower hose
- 1x elbow
- 1x installation kit

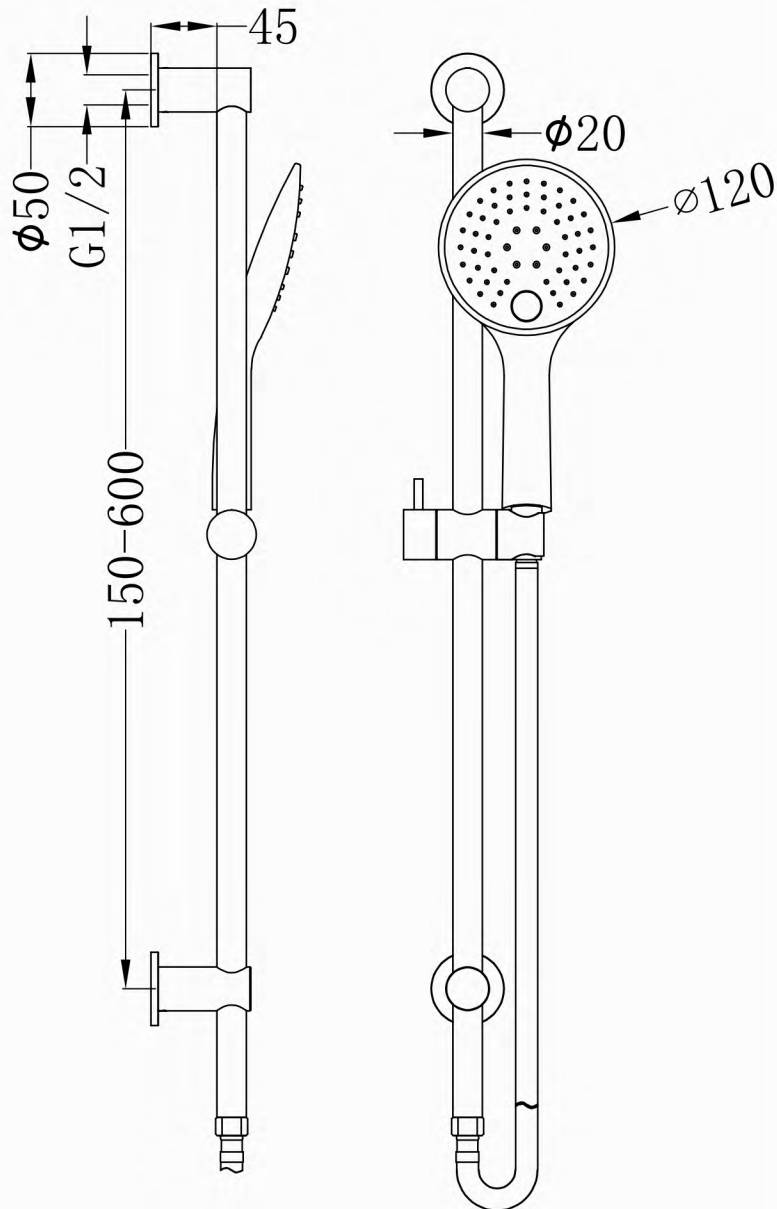


Dimensions are nominal measurements only.



Versions: 2022.05

www.nerotapware.com.au



SHOWER RAIL
YSW314



NOTE

1. Seal all wall penetrations with a neutral cure silicone.
2. The inlet of the shower hose is connect to a wall elbow installed by the plumber at a suitable height.
3. This is only an installation guide .Nero Tapware recommends having the product onsite before commencing rough in.
4. This product may not be suitable for use with gravity-fed water heaters, low pressure supply networks, instantaneous water heaters, tempering valves and thermostatic mixing valves