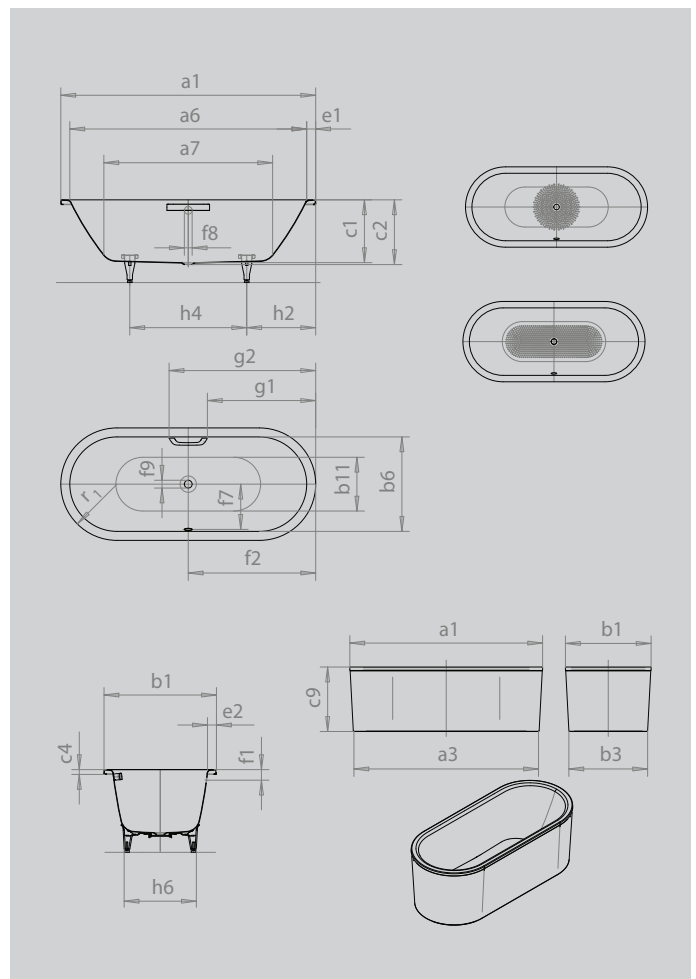


CLASSIC DUO OVAL FREESTANDING

- pure simplicity and unpretentious elegance are what distinguish these baths
- bathing with a friend: two identical back rests and centrally positioned waste
- the moulded panel emphasises the high design standard and enables the bath to be free-standing
- made of KALDEWEI steel enamel



Similar illustration



Model		113
External length	a_1	1700 mm
External length (bottom)	a_3	1635 mm
Internal length (top)	a_6	1580 mm
Internal length (bottom)	a_7	1130 mm
External width	b_1	750 mm
External width (bottom)	b_3	685 mm
Internal width (top)	b_6	630 mm
Internal width (bottom)	b_{11}	500 mm
Depth inside	c_1	420 mm
Depth incl. waste hole	c_2	430 mm
Height of rim	c_4	32 mm
Overall height with panel	c_9	602 mm
Width of rim (foot end; long side)	$e_1; e_2$	60; 60 mm
Distance top edge to centre of overflow hole	f_1	70 mm
Distance bath edge to centre of waste hole	f_2	850 mm
Distance centre of waste hole to centre of overflow hole	f_7	305 mm
Diameter of overflow hole	f_8	Ø 52 mm
Diameter of waste hole	f_9	Ø 52 mm
Distance bath edge (foot end) to start of grip	g_1	722 mm
Distance bath edge (foot end) to end of grip	g_2	978 mm
Distance foot end of bath edge to centre of foot	h_2	560 mm
Distance between the feet	h_4	580 mm
Width of feet max.	h_6	450 mm
External radius	r_1	375 mm
Water volume		124 l
Net weight		78 kg
Diameter of anti-slip		Ø 435 mm
Full anti-slip		900 x 300 mm